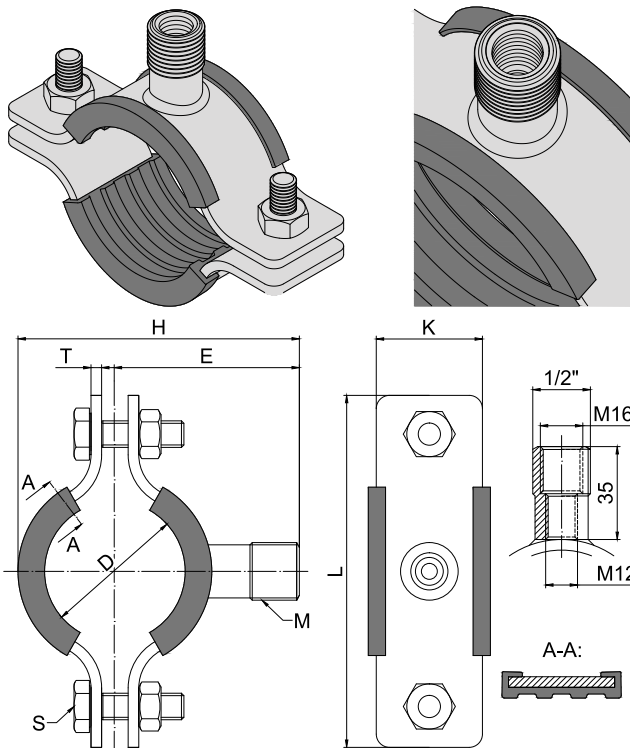


UCHYCENÍ POTRUBÍ - OCELOVÉ OBJÍMKY

CLAMPING OF STEEL PIPING – STEEL PIPE CLAMPS

OBJÍMKA MASIV S UPEVŇOVACÍ HLAVOU UNI (M12, M16, 1/2")

PIPE CLAMP MASIV (HEAVY DUTY) WITH CLAMPING HEAD UNI (M12, M16, 1/2")



Popis:

Objímky typu MASIV jsou vyráběny z oceli 40 x 4 mm s navařenou maticí se dvěma vnitřními závitmi M12 a M16 a vnějším závitem 1/2". Díky přivařenému centrální matici lze objímku kotvit prakticky v jakémkoliv směru. Objímka je primárně určena k upevnění těžkých ocelových nebo litinových potrubí a k vytvoření pevného bodu (PB).

Použití:

- ocelové potrubí
- plastové potrubí
- litinové roury
- měděné potrubí
- nerezové potrubí
- konstrukce pevných bodů

Odvětví:

- voda, topené, plyn
- parní rozvody a kouřovody (v kombinaci se silikonovým profilem)
- odpadní potrubí

Description:

Pipe clamps type MASIV are produced from steel plate 40 x 4 mm with welded nut with two inside threads M12 and M16 and with outside thread 1/2". Central welded nut enable anchoring pipes practically in any direction. Pipe clamp MASIV is primarily intended for anchoring heavy steel or cast iron pipes and for creating fixing points (FP).

Use:

- steel pipes
- plastic pipes
- cast iron pipes
- copper pipes
- stainless steel pipes
- fixing points

Field:

- water, heat, gas
- steam pipes and chimneys (combined with a silicone profile)
- waste pipes

Technické údaje objímky / Technical data of pipe clamp:

| | |
|--|--------------------------------------|
| Zatížení do rozlomení při středovém tahu / Load causing break: | 20,0 kN |
| Maximální doporučené zatížení při středovém tahu / Max. safe load: | 6,6 kN |
| Materiál objímky / Pipe clamp material: | DIN 17 100 / Q235 |
| Povrchová úprava / Surface coating: | galvanicky pozinkováno / zinc plated |

Technické údaje pryžové tlumičkové vložky / Technical data of rubber lining:

| | |
|--|--|
| Materiál / Material: | EPDM |
| Chování při požáru / Reaction to fire: | dle DIN 4102:1998 třída stavebních hmot B2 / class of building materials B2 |
| Použití v rozmezí teplot / Use in the temperature range: | od / from -50 °C do / to +120 °C |
| Tvrdość pryžové vložky / Hardness of rubber lining: | 45° ± 5 Shore A / 15s |
| Ochrana proti hluku / Noise protection: | DIN 4109 |

| Obj. číslo Supply No. | Název Name | Průměr potrubí Diameter of pipe D (mm) | D (") | DN | E (mm) | H (mm) | K (mm) | L (mm) | M Matic Nut | S Šroub Screw | T (mm) | Balení Package (ks/pcs) |
|--------------------------|---|--|--------|-----|-----------|-----------|-----------|-----------|-------------------|---------------------|-----------|-------------------------------|
| 17000023 | Objímka MASIV / MASIV (heavy duty) pipe clamp / 20–23mm matice UNI (M12,M16,1/2") | 20–23 | 1/2" | 15 | 54,5 | 74 | 40 | 105 | M12/M16 / 1/2" | M10x35 mm | 4 | 50 |
| 17000030 | Objímka MASIV / MASIV (heavy duty) pipe clamp / 25–30mm matice UNI (M12,M16,1/2") | 25–30 | 3/4" | 20 | 58,0 | 81 | 40 | 109 | M12/M16 / 1/2" | M10x35 mm | 4 | 50 |
| 17000038 | Objímka MASIV / MASIV (heavy duty) pipe clamp / 31–38mm matice UNI (M12,M16,1/2") | 31–38 | 1" | 25 | 62,0 | 89 | 40 | 120 | M12/M16 / 1/2" | M10x35 mm | 4 | 50 |
| 17000046 | Objímka MASIV / MASIV (heavy duty) pipe clamp / 40–46 mm matice UNI (M12,M16,1/2") | 40–46 | 5/4" | 32 | 66,0 | 97 | 40 | 125 | M12/M16 / 1/2" | M10x35 mm | 4 | 50 |
| 17000053 | Objímka MASIV / MASIV (heavy duty) pipe clamp / 48–53 mm matice UNI (M12,M16,1/2") | 48–53 | 6/4" | 40 | 69,5 | 104 | 40 | 125 | M12/M16 / 1/2" | M10x35 mm | 4 | 50 |
| 17000064 | Objímka MASIV / MASIV (heavy duty) pipe clamp / 60–64 mm matice UNI (M12,M16,1/2") | 60–64 | 2" | 50 | 75,0 | 115 | 40 | 137 | M12/M16 / 1/2" | M10x35 mm | 4 | 25 |
| 17000071 | Objímka MASIV / MASIV (heavy duty) pipe clamp / 67–71 mm matice UNI (M12,M16,1/2") | 67–71 | - | - | 78,5 | 122 | 40 | 152 | M12/M16 / 1/2" | M10x35 mm | 4 | 25 |
| 17000078 | Objímka MASIV / MASIV (heavy duty) pipe clamp / 72–78 mm matice UNI (M12,M16,1/2") | 72–78 | 2 1/2" | 65 | 82,0 | 129 | 40 | 160 | M12/M16 / 1/2" | M10x35 mm | 4 | 25 |
| 17000092 | Objímka MASIV / MASIV (heavy duty) pipe clamp / 87–92 mm matice UNI (M12,M16,1/2") | 87–92 | 3" | 80 | 89,0 | 143 | 40 | 168 | M12/M16 / 1/2" | M10x35 mm | 4 | 25 |
| 17000118 | Objímka MASIV / MASIV (heavy duty) pipe clamp / 108–118 mm matice UNI (M12,M16,1/2") | 108–118 | 4" | 100 | 102,0 | 169 | 40 | 212 | M12/M16 / 1/2" | M10x35 mm | 4 | 25 |
| 17000130 | Objímka MASIV / MASIV (heavy duty) pipe clamp / 125–130 mm matice UNI (M12,M16,1/2") | 125–130 | - | - | 108,0 | 181 | 40 | 219 | M12/M16 / 1/2" | M10x35 mm | 4 | 25 |
| 17000137 | Objímka MASIV / MASIV (heavy duty) pipe clamp / 133–137 mm matice UNI (M12,M16,1/2") | 133–137 | 5" | 125 | 111,5 | 188 | 40 | 225 | M12/M16 / 1/2" | M10x35 mm | 4 | 25 |
| 17000144 | Objímka MASIV / MASIV (heavy duty) pipe clamp / 138–144 mm matice UNI (M12,M16,1/2") | 138–144 | - | - | 115,0 | 195 | 40 | 231 | M12/M16 / 1/2" | M10x35 mm | 4 | 25 |
| 17000165 | Objímka MASIV / MASIV (heavy duty) pipe clamp / 159–165 mm matice UNI (M12,M16,1/2") | 159–165 | - | - | 125,5 | 216 | 40 | 250 | M12/M16 / 1/2" | M10x35 mm | 4 | 20 |
| 17000170 | Objímka MASIV / MASIV (heavy duty) pipe clamp / 164–170 mm matice UNI (M12,M16,1/2") | 164–170 | 6" | 150 | 128,0 | 221 | 40 | 255 | M12/M16 / 1/2" | M10x35 mm | 4 | 20 |
| 17000188 | Objímka MASIV / MASIV (heavy duty) pipe clamp / 182–188 mm matice UNI (M12,M16,1/2") | 182–188 | - | - | 137,0 | 239 | 40 | 273 | M12/M16 / 1/2" | M10x35 mm | 4 | 15 |
| 17000203 | Objímka MASIV / MASIV (heavy duty) pipe clamp / 193–203 mm matice UNI (M12,M16,1/2") | 193–203 | - | - | 144,5 | 254 | 40 | 295 | M12/M16 / 1/2" | M10x35 mm | 4 | 15 |
| 17000214 | Objímka MASIV / MASIV (heavy duty) pipe clamp / 208–214 mm matice UNI (M12,M16,1/2") | 208–214 | - | - | 150,0 | 265 | 40 | 300 | M12/M16 / 1/2" | M10x35 mm | 4 | 15 |
| 17000224 | Objímka MASIV / MASIV (heavy duty) pipe clamp / 217–224 mm matice UNI (M12,M16,1/2") | 217–224 | 8" | 200 | 155,0 | 275 | 40 | 310 | M12/M16 / 1/2" | M10x35 mm | 4 | 15 |
| 17000254 | Objímka MASIV / MASIV (heavy duty) pipe clamp / 244–254 mm matice UNI (M12,M16,1/2") | 244–254 | - | - | 170,0 | 305 | 40 | 345 | M12/M16 / 1/2" | M10x35 mm | 4 | 15 |
| 17000277 | Objímka MASIV / MASIV (heavy duty) pipe clamp / 267–277 mm matice UNI (M12,M16,1/2") | 267–277 | 10" | 250 | 181,5 | 328 | 40 | 365 | M12/M16 / 1/2" | M10x35 mm | 4 | 15 |
| 17000282 | Objímka MASIV / MASIV (heavy duty) pipe clamp / 278–282 mm matice UNI (M12,M16,1/2") | 278–282 | - | - | 184,0 | 333 | 40 | 380 | M12/M16 / 1/2" | M10x35 mm | 4 | 10 |
| 17000318 | Objímka MASIV / MASIV (heavy duty) pipe clamp / 313–318 mm matice UNI (M12,M16,1/2") | 313–318 | - | - | 202,0 | 369 | 40 | 420 | M12/M16 / 1/2" | M10x35 mm | 4 | 9 |
| 17000326 | Objímka MASIV / MASIV (heavy duty) pipe clamp / 320–326 mm matice UNI (M12,M16,1/2") | 320–326 | 12" | 300 | 206,0 | 377 | 40 | 415 | M12/M16 / 1/2" | M10x35 mm | 4 | 7 |
| 17000360 | Objímka MASIV / MASIV (heavy duty) pipe clamp / 353–360 mm matice UNI (M12,M16,1/2") | 353–360 | - | - | 223,0 | 411 | 40 | 455 | M12/M16 / 1/2" | M10x35 mm | 4 | 7 |
| 31403045 | Matice pro objímky MASIV UNI (mufna) / Circular nut for Heavy duty pipe clamp / 1/2" x 34mm | - | - | - | - | - | - | - | - | - | - | 1 |

Montážní postup / Mounting procedure:

